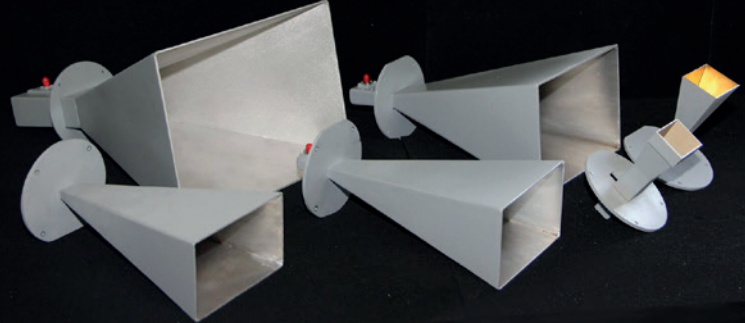


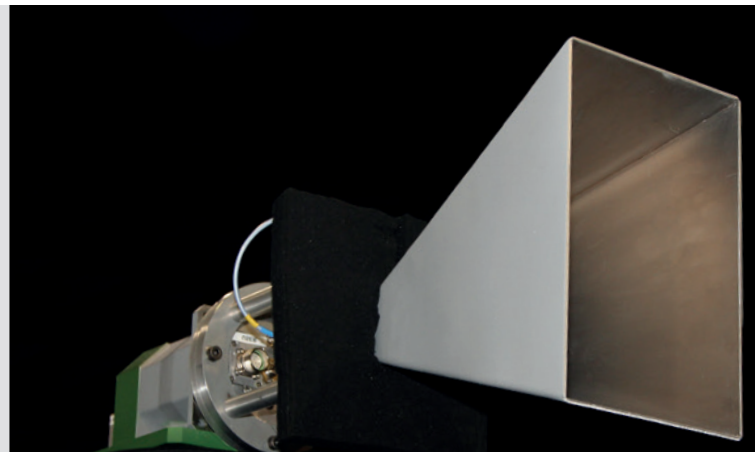
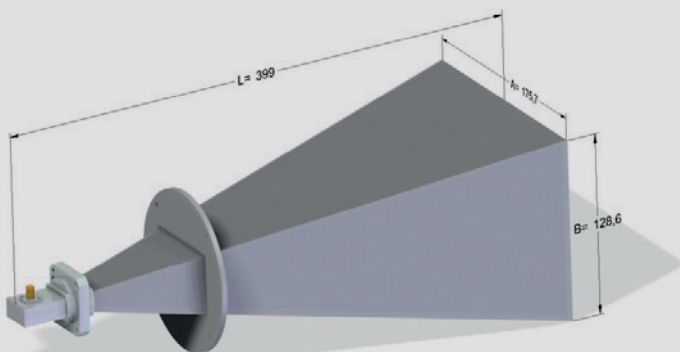


ASY-SGH Series Pyramidal Standard Gain Horns

sales@asysol.com

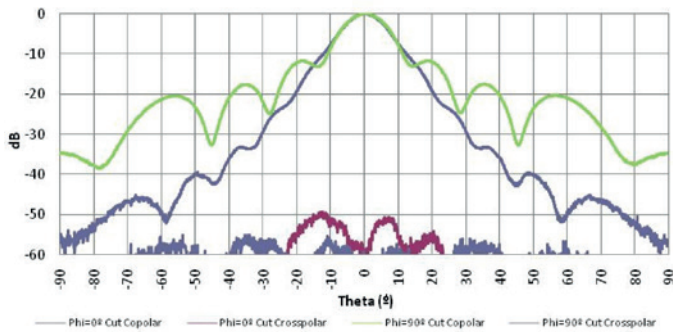


- **Pyramidal Standard Gain Horns (SGH)** are widely used as reference gain antennas and Far-Field test range feeds, as well as linearly-polarised standards for polarisation and channel balance calibration of Near-Field probes. A robust design allows ASYSOL SGHs to be scaled to any frequency range (500MHz to 60GHz in standard octave bandwidth) with reliable performance. High accuracy manufacturing enables a symmetrical radiation pattern with very low cross-polarisation, typically below -45dB.
- ASYSOL SGH's are equipped with an integrated coaxial connector and circular mounting flange, enabling them to connect with ASYSOL standard positioners. Customised models are also available, for example, with a standard waveguide flange or custom mechanical interface. The horns are treated with an Alodine surface finish and painted to ensure environmental protection.
- A full measurement report is supplied with every horn, including the following parameters:
 - Main antenna pattern (centre frequency)
 - Reflection coefficient
 - Swept gain
 - Swept on-axis cross-polarisation

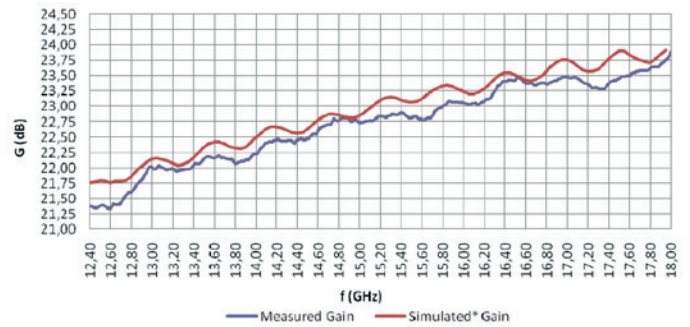


Model Number	WR	Frequency band [GHz]	Nominal gain [dBi]	VSWR	Cx-pol [dB]	Beamwidth [deg]
ASY-SGH-005	1500	0.5 - 0.75	11	< 1.4:1	< -40	45
ASY-SGH-007	975	0.75 - 1.1	14	< 1.4:1	< -40	34
ASY-SGH-011	650	1.1 - 1.7	14	< 1.4:1	< -40	34
ASY-SGH-017	430	1.7 - 2.6	17	< 1.4:1	< -40	23
ASY-SGH-026	284	2.6 - 3.9	17	< 1.4:1	< -40	23
ASY-SGH-039	187	3.9 - 5.8	20	< 1.4:1	< -40	17
ASY-SGH-058	137	5.8 - 8.2	20	< 1.4:1	< -40	17
ASY-SGH-070	112	7.0 - 10.0	23	< 1.4:1	< -40	12
ASY-SGH-082	90	8.2 - 12.4	23	< 1.4:1	< -40	12
ASY-SGH-100	75	10.0 - 15.0	23	< 1.4:1	< -40	12
ASY-SGH-124	62	12.4 - 18.0	23	< 1.4:1	< -40	12
ASY-SGH-150	51	15.0 - 22.0	23	< 1.4:1	< -40	12
ASY-SGH-180	42	18.0 - 26.5	23	< 1.4:1	< -40	12
ASY-SGH-220	34	22.0 - 33.0	23	< 1.4:1	< -40	12
ASY-SGH-265	28	26.5 - 40.0	23	< 1.4:1	< -40	12
ASY-SGH-400	19	40.0 - 60.0	23	< 1.4:1	< -40	12

* Other standard and custom frequency bands are also available upon request.



ASY-SGH-124 Radiation Patterns f=15.20 GHz



ASY-SGH-124 Gain

Ver032018

Álava Ingenieros
GRUPO ÁLAVA

Edificio Antalia, Albasanz 16, 28037 Madrid

+34 91 567 97 00 | alavaingenieros.com | alava@grupoalava.com

Madrid | Barcelona | Zaragoza | Lisboa | Lima | Quito | Texas

Antenna Systems Solutions S.L.

Albert Einstein 12

39011 Santander

Cantabria, Spain

 sales@asysol.com

 +44 8700 555 010

 www.asysol.com

ANTENNA
Systems Solutions

A CELESTIA TECHNOLOGIES GROUP COMPANY 