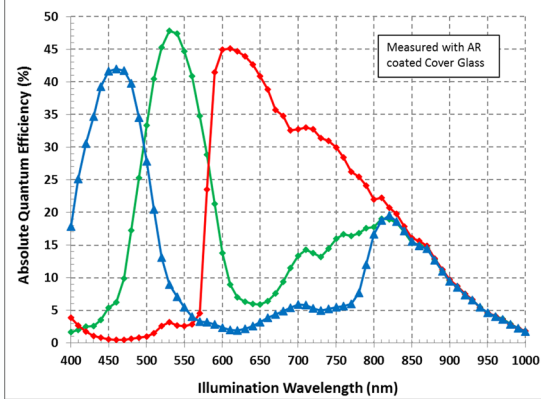


C2880

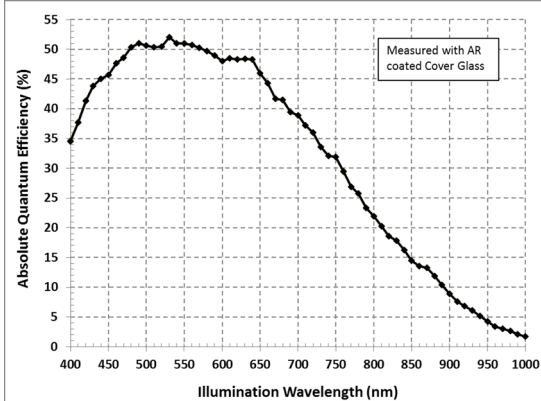


IMPERX: Technically superior products, full tech support, rapid-response customer care. Cheetah adds many new features, extended dynamic range, dual video output and enhanced image quality. Each easy to use Cheetah is supported by IMPERX professionals.

Color (Bayer RGB) with Microlens KAC-06040



Monochrome with Microlens KAC-06040



INTERFACES AVAILABLE:

- Standard Resolution
- Maximum Resolution
- Sensor
- Sensor Format
- Pixel Size
- NIR Sensitivity
- Shutter
- Blooming Suppression
- Column/Row Noise Correction
- Digitization
- Frame Rate
- Dynamic Range
- Extended Dynamic Range (XDR)
- Output Format
- Analog Gain Control
- Digital Gain
- Black Level Control
- White Balance
- Shutter Speed
- Exposure Control
- Regions of Interest (ROI)
- Averaging Decimation
- Sub-sampling Decimation
- Dual Video Capability
- Dual Video Frame Switching
- Auto Dual Frame Switching
- Frame A/B Settings

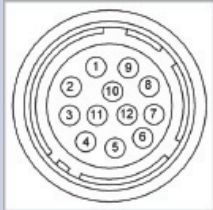
- Trigger Inputs
- Trigger Options
- Trigger Modes
- External Inputs/Outputs
- Strobe Output
- Pulse Generator
- Image Enhancement
- Corrections
- Lens Mount
- Supply Input Range
- Power Consumption
- Size - Width/Height
- Size - Length
- Weight
- Vibration, Shock
- Environmental
- Humidity
- MTBF
- Regulatory

- Camera Link® Full (CLF), CoaXPress (CXP)
- 2832 x 2128
- 2848 x 2144
- KAC-06040, CMOS
- 13.1 mm (H) x 10.0 mm (V), 16.65 mm diagonal, 1" optical
- 4.7 µm
- 850nm: 15%, 950nm: 5%
- Global shutter (GS), rolling shutter (RS)
- >10,000 Vsat, Black Sun Suppression
- <1 electron (RS), <3 electrons (GS)
- 8, 10, or 12 bit
- 55 fps (12-bit), 105 fps (10-bit), 135 fps (8-bit)
- 74 dB (RS), 57 dB (GS)
- 100 dB (typ) GS, up to 2 knee points, piecewise linear
- Mono: 8, 10, 12; Color 8, 10, 12
- 12-bit: 0-12 dB (16 steps); 8 or 10-bit: 0-18 dB (32 steps)
- 24 dB (128 steps)
- Manual, 8192 steps
- Manual, auto, off
- 1µs/step, 5 µs to 1.0 sec (GS), 2 µs to 1.0 sec (RS)
- Off, internal, external
- 1 ROI per frame (see Dual Video feature below)
- 4:1, 9:1 (both color and monochrome)
- N pixels: 2, 4, 6...30 by every M pixels: 2, 4, 6... 32
- Two programmable frames: Frame A and Frame B
- Manual, Auto, External Trigger
- 'M' (1 to 255) Frame A's, 'N' (1 to 255) Frame B's, repeat
- Independent control of each frame's: resolution, gain, offset, pixel averaging, sub-sampling, ROI, XDR
- External, pulse generator, software, computer
- Edge, debounce
- Internal, external, computer
- 2 IN (LVTTTL), 2 OUT (TTL), user programmable
- 2 Strobes, programmable position and duration
- Yes, programmable
- Vertical/horizontal flip
- Defective/hot pixel correction (static, dynamic)
- F-Mount (Default), C, M42, EF
- 12VDC (10V-15V), 1.5 A inrush
- CLF TBD W, CXP TBD
- 70.0mm (W) x 70.0mm (H) - Applies to all interfaces
- CLF 86.0mm (L), CXP - TBD
- CLF TBD g, CXP - TBD g
- 100g (20-200) HZ XYZ, 1000g
- 40°C to +85°C Operating, -50°C to +90°C Storage
- 10% to 90% non-condensing
- >660,000 hours @ 40°C (Telcordia SR-322)
- FCC 15 part A, CE, RoHS

Preliminary



Power and I/O Interface:



- 1 12V DC Return
- 2 +12V DC
- 3 N/C
- 4 RS232-TX
- 5 RS232-RX
- 6 OUT1/2 Return
- 7 OUT1 Signal
- 8 IN1 Signal
- 9 IN2 Signal
- 10 IN1/2 Return
- 11 GPIO
- 12 OUT2 Signal

C2880 Ordering Information

Interfaces available

- Camera Link® Full (CLF)
- CoaXPress (CXP)

Sensor types available

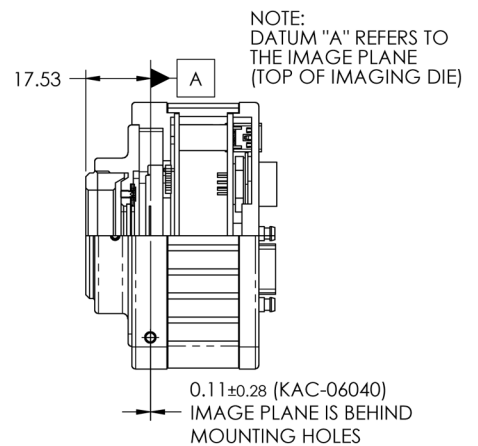
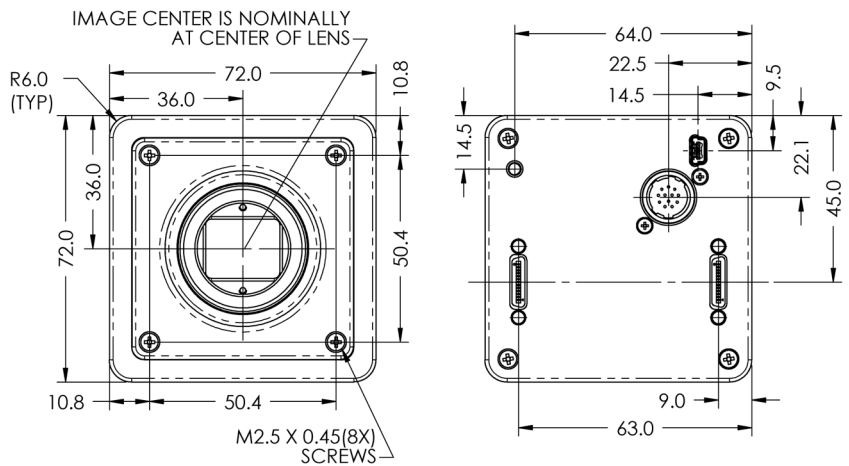
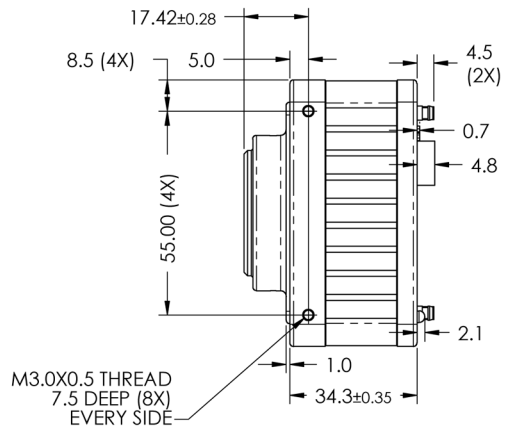
- Monochrome
- Bayer Color

Lens Mounts

- F Mount (Default)
- C Mount
- M42
- EF

Accessories (Sold separately)

- PS12V04-Power Supply w/ 1 input and 1 output



Quality Management System ISO 9001:2008 Registered
 Environmental Management System ISO 14001:2004 Registered
 DDTC Registered (Directorate of Defense Trade Controls, US Department of State)

